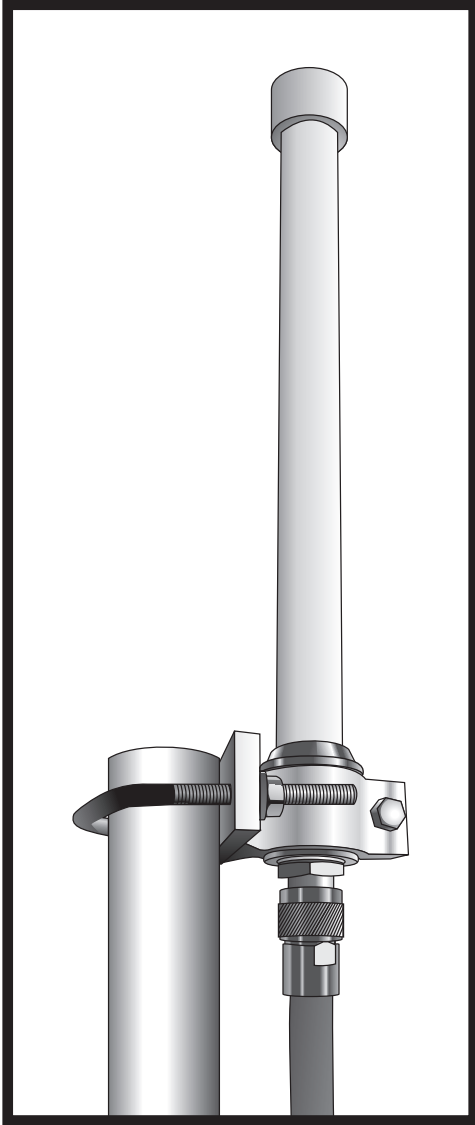


BEAMER

Base Station Antenna
Omni-Directional Fibre-Glass

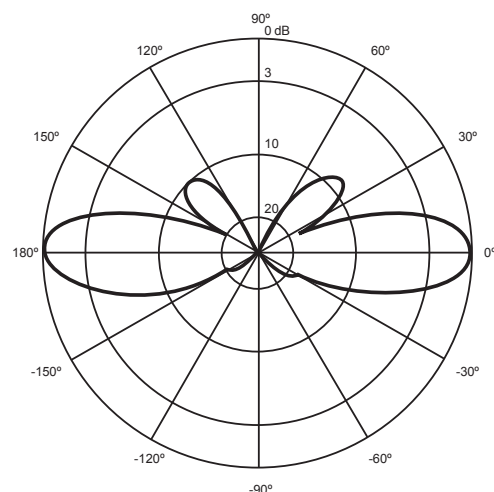
W - LAN
2.4 GHz

CLX-240/4 23002500



Type	Dipole Colinear
Frequency	2300-2500MHz
Gain	4dBd
SWR	<1.5:1
Impedance	50 ohm
Polarisation	Vertical
Power Rating	20 watt
Working Temperature	-30°C ~ +80°C
Wind Resistance	150km/h
Lightning Protection	DC Ground
Connector	N Female
Total Length	Approx. 325mm
Weight	Approx. 0.35kg

VERTICAL RADIATION PATTERN



SWR CHART

Model: CLX-240/4

